

DLCAP™ DXG series



- 更なる高出力密度化を実現。
- 優れた低温特性を改良し、更に高温環境（85℃）まで対応。
- 電力貯蔵・バッテリーアシスト・短時間バックアップ等に最適。
- 車載用途（回生エネルギー、アイドリングストップ、低温クランキング）にも最適。

- ・ It realizes further higher power density.
- ・ DXG series improves the excellent low temperature characteristics, and it also supports high temperature environment (85 °C) .
- ・ Suitable for electricity storage, battery assistance, short-term backups, etc.
- ・ Also suitable for kinetic energy recapturing, start/stop, low temperature engine cranking application for automobile.

◆規格表 / SPECIFICATIONS

| 項目 / Items | 性能 / Specifications | |
|------------------------------------|---|--|
| カテゴリ温度範囲 / Operating Temperature | -40°C ~ +85°C | |
| 静電容量許容差 / Capacitance Tolerance | -0%、+25% (A) (20°C) | |
| 温度特性 / Temperature Characteristics | 容量変化率 Capacitance Change | 20°Cの値の±30%以内 ≤±30% of the measured value at 20°C |
| | 内部抵抗変化率 Internal Resistance Change | 「製品一覧表」に示す内部抵抗最大値の500%以下 ≤500% of the internal resistance maximum value given in the ratings tables (-40°C) |
| 高温度負荷特性 / Load Life Test | 85°Cにおいて定格電圧を1500時間印加後、20°Cに復帰させ測定を行ったとき、下記を満足すること After the capacitors are subjected to the rated DC voltage at 85°C for 1500 hours, the following specifications shall be satisfied when they are restored to 20°C. | |
| | 容量変化率 Capacitance Change | 「製品一覧表」に示す容量定格値の±30%以下 ≤±30% of the capacitance rated value given in the ratings tables |
| | 内部抵抗変化率 Internal Resistance Change | 「製品一覧表」に示す内部抵抗最大値の200%以下 ≤200% of the internal resistance maximum value given in the ratings tables |
| | 70°Cにおいて定格電圧を3000時間印加後、20°Cに復帰させ測定を行ったとき、下記を満足すること After the capacitors are subjected to the rated DC voltage at 70°C for 3000 hours, the following specifications shall be satisfied when they are restored to 20°C. | |
| | 容量変化率 Capacitance Change | 「製品一覧表」に示す容量定格値の±30%以下 ≤±30% of the capacitance rated value given in the ratings tables |
| | 内部抵抗変化率 Internal Resistance Change | 「製品一覧表」に示す内部抵抗最大値の150%以下 ≤150% of the internal resistance maximum value given in the ratings tables |
| 耐湿性能 / Bias Humidity Test | 40°C、90~95%RH、無負荷500時間放置後、20°Cに復帰させ測定を行ったとき、下記を満足すること After the capacitors are left at 40°C and 90 to 95%RH for 500 hours without voltage applied, the following specifications shall be satisfied when they are restored to 20°C. | |
| | 容量変化率 Capacitance Change | 「製品一覧表」に示す容量定格値の±30%以内 ≤±30% of the capacitance rated value given in the ratings tables |
| | 内部抵抗変化率 Internal Resistance Change | 「製品一覧表」に示す内部抵抗最大値の200%以下 ≤200% of the internal resistance maximum value given in the ratings tables |

◆製品一覧表 / STANDARD RATINGS

● DXG series*3

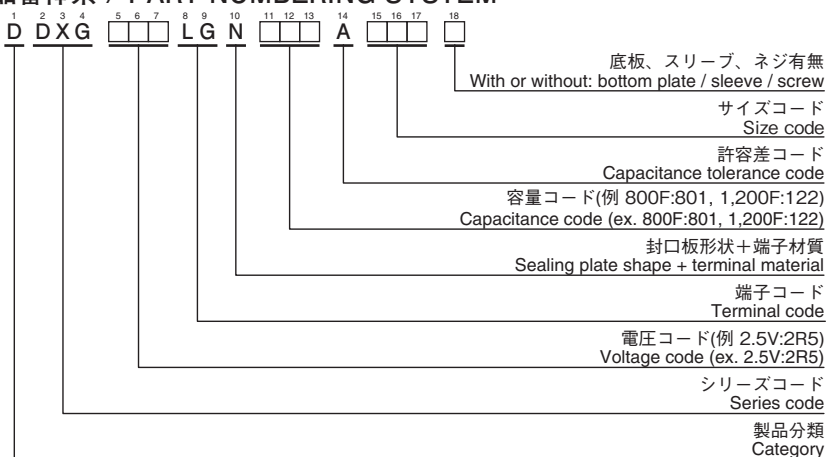
| Rated Voltage [V] | Capacitance | | Nominal Case Size | | Internal Resistance | | Weight*1 [g] | Energy Storage*2 [Wh] | Part No. |
|-------------------|------------------|----------|-------------------|--------|---------------------|-----------|--------------|-----------------------|--------------------|
| | Min. (rated) [F] | Typ. [F] | φ D [mm] | L [mm] | Typ. [mΩ] | Max. [mΩ] | | | |
| 2.5 | 300 | 330 | 40 | 65 | 1.2 | 1.6 | 120 | 0.3 | DDXG2R5LGN301AB65S |
| | 590 | 650 | | 105 | 0.7 | 1.0 | 200 | 0.6 | DDXG2R5LGN591ABA5S |
| | 910 | 1000 | | 150 | 0.5 | 0.7 | 280 | 0.8 | DDXG2R5LGN911ABF0S |

*1：参考値/Reference data

*2：本品に記載されるエネルギー貯蔵容量 (Wh) は、「電気及び電子機器用電気二重層キャパシタの輸送に関する手引書 (JEITA)」に基づいて算出しています。
The energy storage capacity (Wh) described in this product is calculated based on "Guidebook on Transportation of Electric Double Layer Capacitors for Electrical and Electronic Equipment (JEITA)".

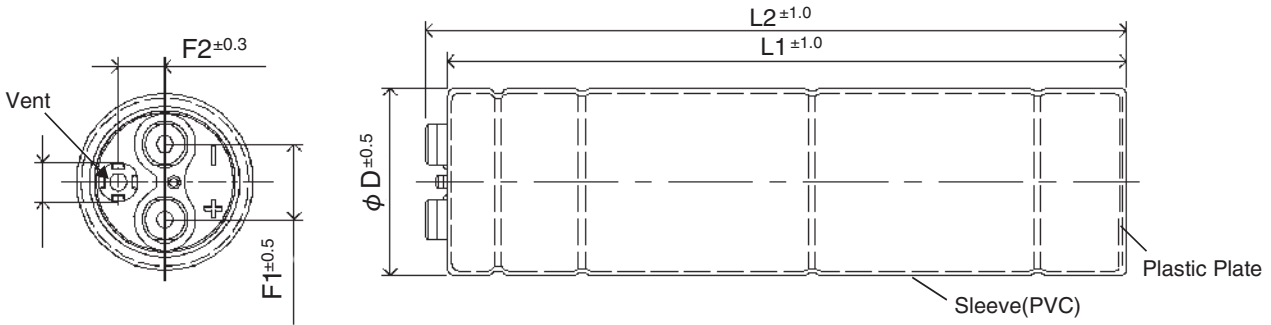
*3：DXGシリーズでは、容量の仕様が最小値に設定されています。
In the DXG series, the capacity specification are set to the minimum values.

◆品番体系 / PART NUMBERING SYSTEM



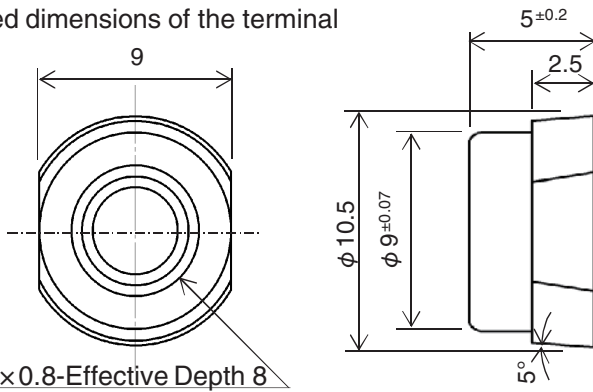
DLCAP™ DXG series

◆寸法図 / DIMENSIONS [mm]



| Part No. | ϕD [mm] | L 1 [mm] | L 2 [mm] | F 1 [mm] | F 2 [mm] |
|--------------------|---------------|----------|----------|----------|----------|
| DDXG2R5LGN301AB65S | 40.4 | 66 | 71 | 17.0 | 10.5 |
| DDXG2R5LGN591ABA5S | | 106 | 111 | | |
| DDXG2R5LGN911ABF0S | | 151 | 156 | | |

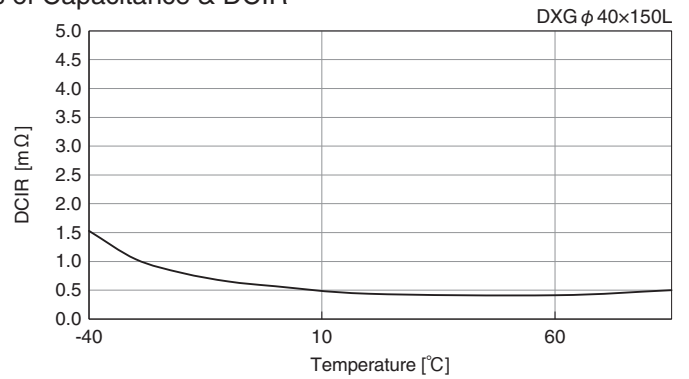
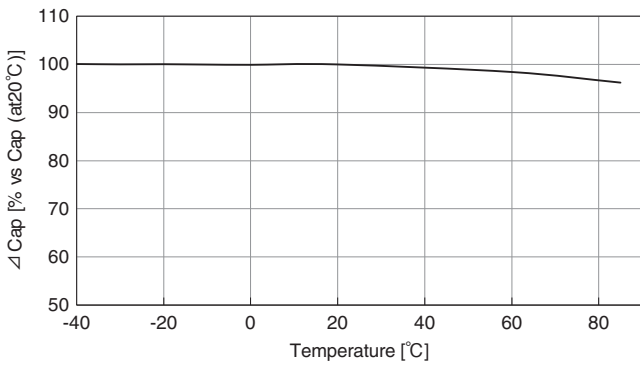
Detailed dimensions of the terminal



<端子ネジ規格 / Screw specification>
 プラス六角ボルトネジ : M5×0.8×10
 Plus hexagon-headed screw : M5×0.8×10

 ネジ締付最大許容トルク : 3.23Nm
 Maximum screw tightening torque : 3.23Nm

◆容量と内部抵抗の温度特性 / Temperature Characteristics of Capacitance & DCIR



◆85°C高温負荷試験 / 85°C Load Life Test

